

REV.	DESCRIPTION	NAME	DATE
X1	NEWS ISSUE	LXH	2020.03.07

NOTE:

- MATERIAL SPECIFICATION:
 - HOUSING: HIGH TEMPERATURE RESISTANT PLASTIC, UL94 V-0.
 - CONTACTS: COPPER ALLOY
- PLATING SPECIFICATION:
 - CONTACTS:
 - Ni 50u" MIN. UNDER PLATED OVER ALL.
 - Au PLATED ON THE FUNCTIONAL AREA OF CONTACT.
 - (GOLD PLATING THICKNESS FOLLOW THE P/N)
 - GOLD FLASH PLATING ON SOLDER AREA
 - FRONT SHELL:
 - Ni 30u" MIN. UNDER PLATED OVER ALL.
- MECHANICAL PERFORMANCE,
 - INSERTION FORCE: 0.5~2.0kgf.
 - REMOVAL FORCE: 0.8kgf~2.0kgf.
 - DURABILITY: 10000 CYCLES.
- ELECTRICAL PERFORMANCE,
 - CURRENT RATING: 5.0A
VOLTAGE RATING: 20V
 - INSULATION RESISTANCE: 100MΩ MIN
 - DIELECTRIC WITHSTAND VOLTAGE, AC 100V FOR 1 MINUTE.
 - LOW CONTACT RESISTANCE: INITIAL 40MΩ /AFTER 50MΩ
- ENVIRONMENTAL PERFORMANCE:
 - OPERATING TEMPERATURE: -30°C~+80°C.
- IR REFLOW:
 - THE PEAK TEMPERATURE ON THE BOARD SHALL BE MAINTAINED FOR 10 SECONDS AT 260°C.

07.P/N UCR05-X066X-00XR

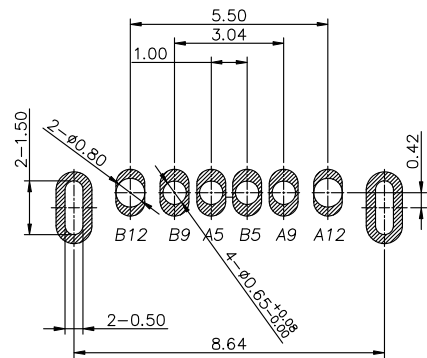
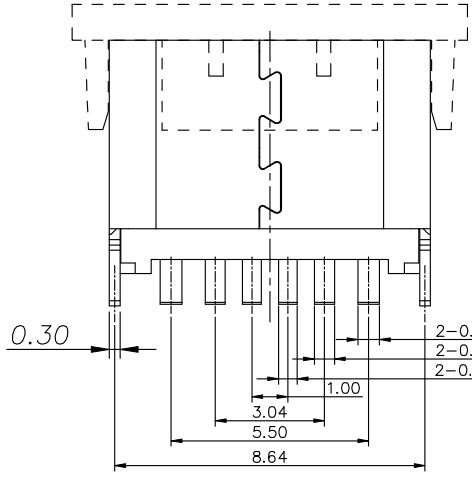
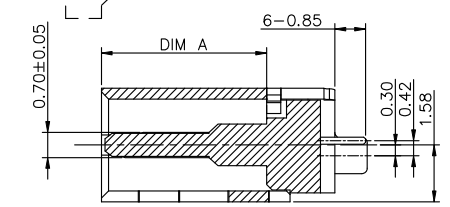
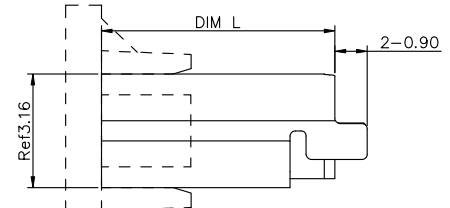
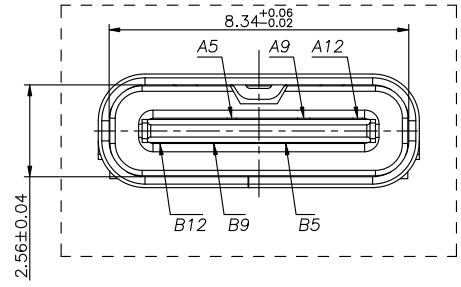
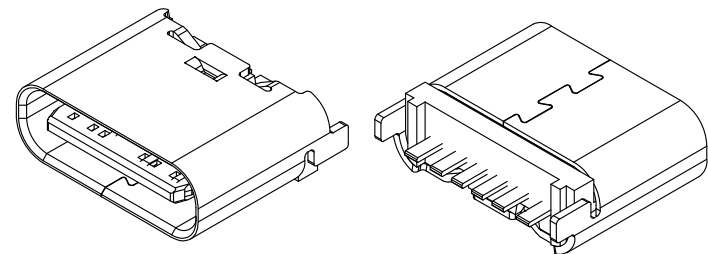
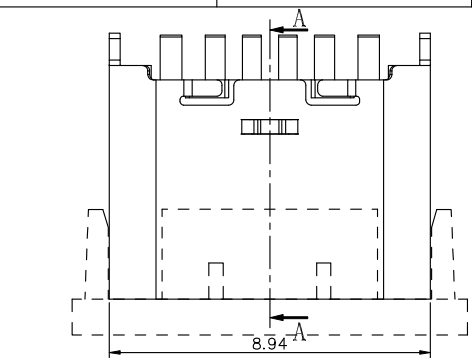
Code	DIM L	DIM A
0	6.80	4.90
1	6.50 ^{+0.00} _{-0.10}	4.60

06:06 PIN
 B: Blck
 N: NATURE

USB TYPE-C PIN ASSIGNMENTS

PIN NUMBER	SIGNAL NAME
A5	CC1
A9	VBUS
A12	GND
B12	GND
B9	VBUS
B5	CC2

K: GOLD FLASH PLATING ON CONTACT AREA,
 GOLD FLASH PLATING ON SOLDER AREA



RECOMMEND P.C.B LAYOUT (COMPONENT SIDE)
 TOLERANCE FOR PCB LAYOUT IS ± 0.05

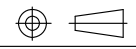
TOLERANCE UNSPECIFIED

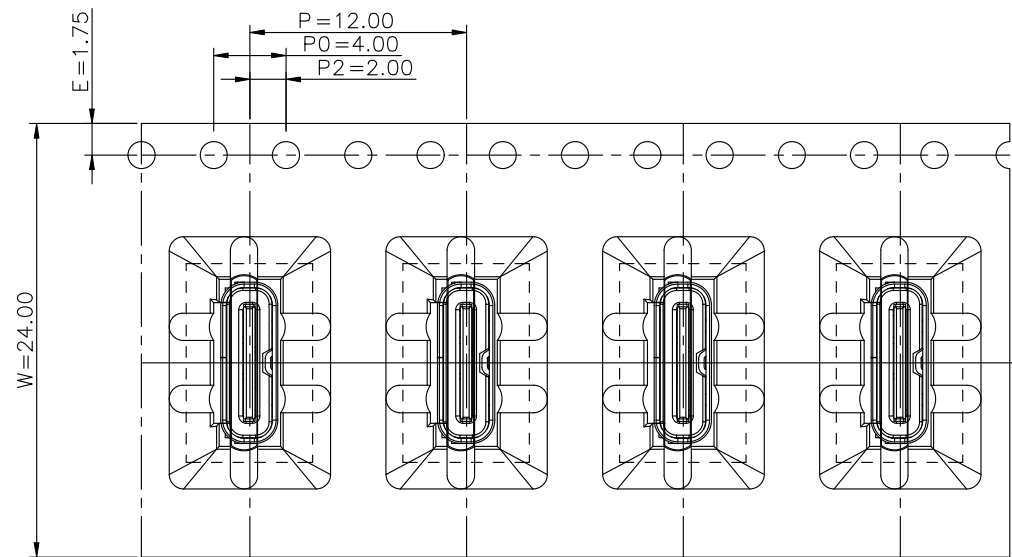
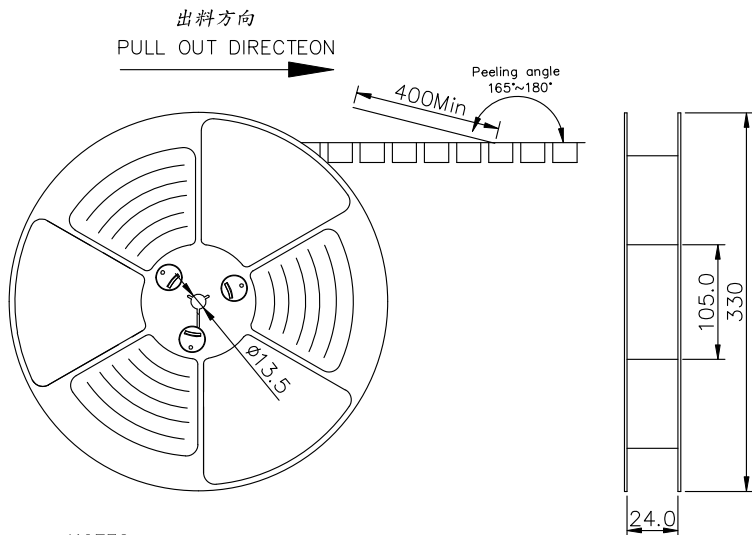
.0	±0.35
.00	±0.25
.000	±0.15
X.°	±2.00°

CUSTOMER DRAWING

 **东莞市韩晶电子有限公司**
 Dongguan Hanjing Electronics Limited

TITLE: USB TYPE C 6PIN,
 直立插板

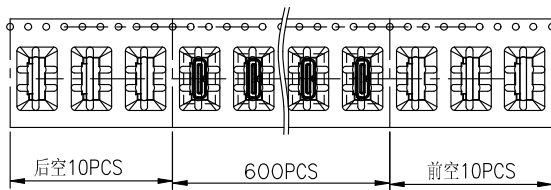
DRAWN	LXH	SIZE:A4	UNIT:mm.	PART. NO:	UCR04-X063X-00XR
DATE	2020.03.07	CHECKED	LCY	SCALE: 1:1	PROJECTION 
DATE	2020.03.07	APPROVED	LCY	DWG PATH	C00-0000-0059
DATE	2020.03.07				REV.: X1 PATH 1/1



NOTES

1. 帶子引導長度
LEAD TAPE LENGTH

出料方向 PULL OUT DIRECTEON

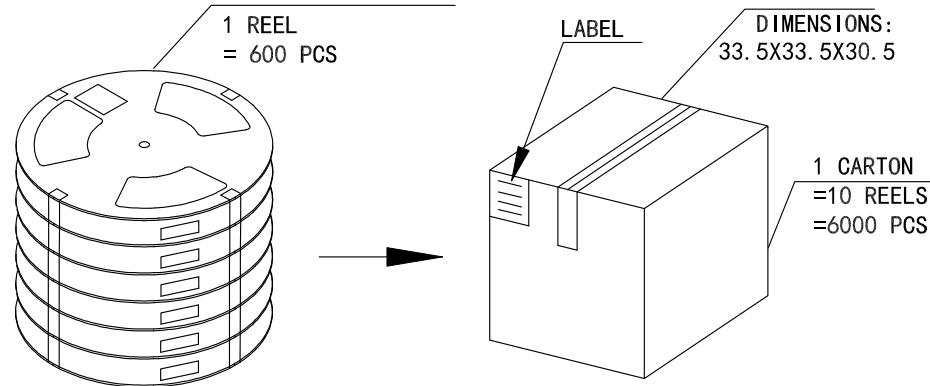


2. 上帶剝力為：0.1~1.3N(10.2gf~130gf)
PEELING OFF FORCE OF TOP TAPE:0.1~1.3N(10.2gf~130gf)

出貨運輸過程中一定注意：
THIS REQUIREMENT SHOULD BE APPLIED AT SHIPMENT：
卷帶在運輸過程中不能數開
PEELING OFF SHOULD NOT BE ALLOWED DURING TRANSPORTATION

TAPE & REEL 10 PCS

BOX



包明表 (The detail of the packing) Carton						
品料 (Product No.)	包容量 (Packing Capacity)			重量 Weight (Kg)		
	pcs/box	boxs/Carton	Pcs/Box	N.W./Pcs	N.W./Box	G.W./Box
UCR04-X063X-00XR	600	10	6000	----	----	----

TOLERANCE UNSPECIFIED		东莞市韩晶电子有限公司 Dongguan Hanjing Electronics Limited			
DRAWN DATE: LXH 2020.03.07		SIZE: A4	UNIT: mm.	PART. NO: UCR04-X063X-00XR	
CHECKED DATE: LCY 2020.03.07		SCALE: 1:1	PROJECTION	REV.: X1	
APPROVED DATE: LCY 2020.03.07		DWG PATH	C00-0000-0059		PATH 2/2