
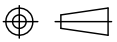


REV.	DESCRIPTION	NAME	DATE
A	NEWS ISSUS	RainYi	2022/10/20

NOTE:

1. MATERIAL SPECIFICATION:
 1. HOUSING: HIGH TEMPERATURE RESISTANT PLASTIC, UL94 V-0.
 2. CONTACTS: COPPER ALLOY
 3. MID PLATE: STAINLESS STEEL
 4. INSIDE SHELL: STAINLESS STEEL
 5. OUTSIDE SHELL: STAINLESS STEEL
2. PLATING SPECIFICATION:
 - 2-1. CONTACTS:
 - Ni 50u" MIN. UNDER PLATED OVER ALL.
 - Au PLATED ON THE FUNCTIONAL AREA OF CONTACT.
 - (GOLD PLATING THICKNESS FOLLOW THE P/N)
 - GOLD FLASH PLATING ON SOLDER AREA
 - 2-2. INSIDE SHELL OR OUTSIDE SHELL:
 - Ni 30u" MIN. UNDER PLATED OVER ALL.
3. MECHANICAL PERFORMANCE,
 - 3-1. INSERTION FORCE: 0.5~2.0kgf.
 - 3-2. REMOVAL FORCE: 0.8kgf~2.0kgf.
 - 3-3. DURABILITY: 10000 CYCLES.
4. ELECTRICAL PERFORMANCE,
 - 4-1. CURRENT RATING: 5A
VOLTAGE RATING: 20V
 - 4-2. INSULATION RESISTANCE: 100MΩ MIN
 - 4-3. DIELECTRIC WITHSTAND VOLTAGE, AC 100V FOR 1 MINUTE.
 - 4-4. LOW CONTACT RESISTANCE: INITIAL 40MΩ
AFTER 50MΩ
5. ENVIRONMENTAL PERFORMANCE:
 - OPERATING TEMPERATURE: -30°C~+80°C.
6. IR REFLOW:
 - THE PEAK TEMPERATURE ON THE BOARD SHALL BE MAINTAINED FOR 10 SECONDS AT 260°C.

5	OUTER SHELL	SUS304 T=0.25MM	NI 40u"MIN	1PCS
4	INNER SHELL	SUS304 T=0.30MM	NI 40u"MIN	1PCS
3	SHIELDING PLATE	SUS301 T=0.15MM	N/A	1PCS
2	CONTACT	C2680 T=0.15MM	Mating area 1u"Au Solder Tails: G/F Underplate: 80u"Min Ni overall	2SET
1	INSERT MOLDING	LCP UL94V-0	BLACK	1PCS

NO.	DESCRIPTION	MATERIAL	REMARKS
TOLERANCE UNSPECIFIED		 东莞市韩晶电子有限公司 TITLE: USB TYPE C 16PIN, 板上垫高2.50mm(CH=4.05)	
.0	±0.35		
.00	±0.25		
.000	±0.15		
X.°	±1.00°		
ASSEMBLY DRAWING			
DRAWN DATE	Rain. Yi 2022/10/20	SIZE: A4	UNIT: mm. PART. NO: UCR04-3161X-00XR
CHECKED DATE	Rain. Yi 2022/10/20	SCALE: 1:1	PROJECTION  REV.: A
APPROVED DATE	LCY 2022/10/20	DWG PATH	C00-0000-0085 PATH 1/3

REV.	DESCRIPTION	NAME	DATE
A	NEWS ISSUE	RainYi	2022/08/20

7.P/N: UCR04-3161X-00XR

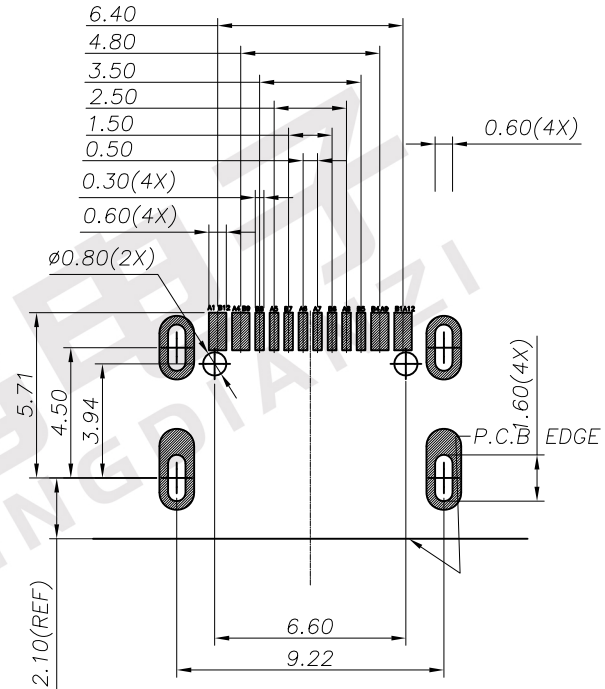
16:16 PIN

B:Blck
N:NATURE

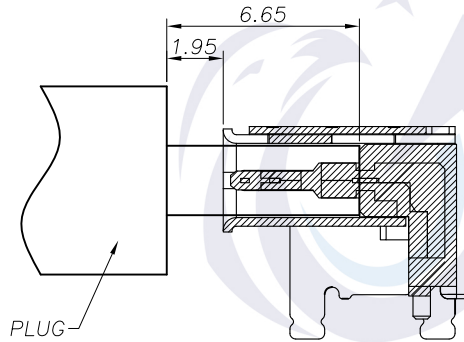
- 1: GOLD FLASH PLATING ON CONTACT AREA,
GOLD FLASH PLATING ON SOLDER AREA
- 3: 3u" GOLD PLATING ON CONTACT AREA,
GOLD FLASH PLATING ON SOLDER AREA
- 5: 3u" GOLD PLATING ON CONTACT AREA,
GOLD FLASH PLATING ON SOLDER AREA

USB TYPE-C PIN ASSIGNMENTS


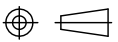
PIN NUMBER	SIGNAL NAME	PIN NUMBER	SIGNAL NAME
A1	GND	B12	GND
A4	VBUS	B9	VBUS
A5	CC1	B8	SBU2
A6	Dp1	B7	Dn2
A7	Dn1	B6	Dp2
A8	SBU1	B5	CC2
A9	VBUS	B4	VBUS
A12	GND	B1	GND



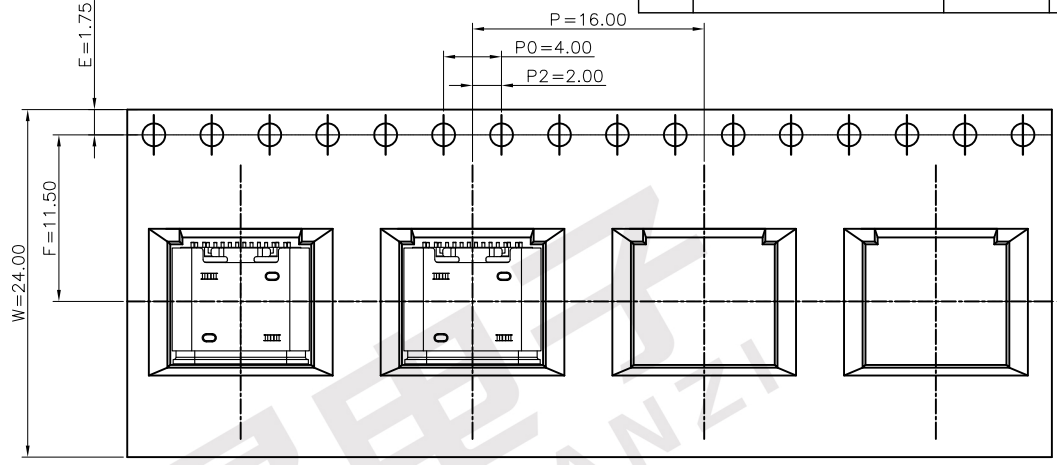
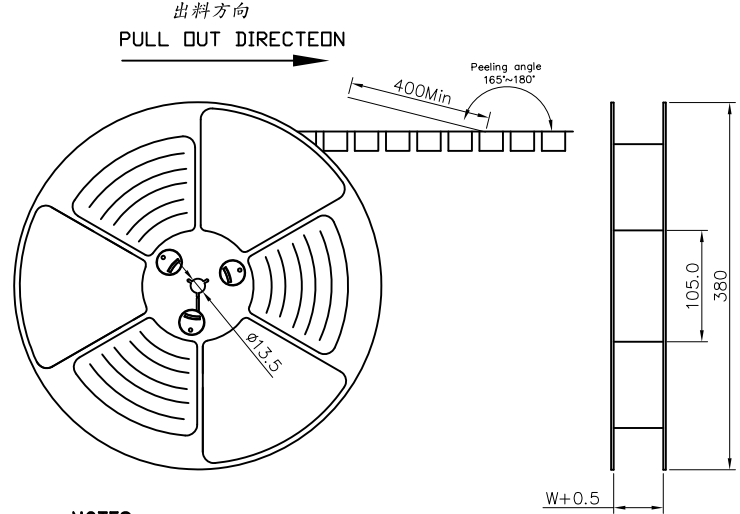
RECOMMEND P.C.B LAYOUT(COMPONENT SIDE)
TOLERANCE FOR PCB LAYOUT IS ± 0.05



AFTER MATING
SCALE 1:1

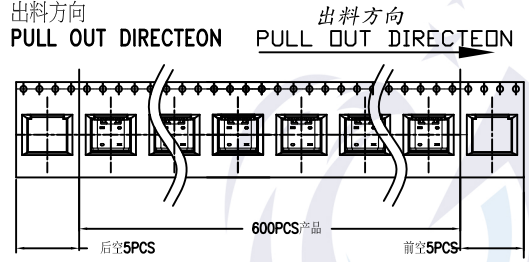
TOLERANCE UNSPECIFIED		 东莞市韩晶电子有限公司					
.0	±0.35						
.00	±0.25	TITLE: USB TYPE C 16PIN, 板上垫高2.50mm(CH=4.05)					
.000	±0.15	DRAWN DATE	Rain.Yi 2022/08/20	SIZE:A4	UNIT:mm.	PART.NO:	UCR04-3161X-00XR
X.°	±1.00°	CHECKED DATE	Rain.Yi 2022/08/20	SCALE:	1:1	PROJECTION	 REV.: A
ASSEMBLY DRAWING		APPROVED DATE	LCY 2022/08/20	DWG	PATH	C00-0000-0085	PATH 2/3

REV.	DESCRIPTION	NAME	DATE
A	NEWS ISSUE	RainYi	2022/08/20



NOTES

1. 帶子引導長度
LEAD TAPE LENGTH



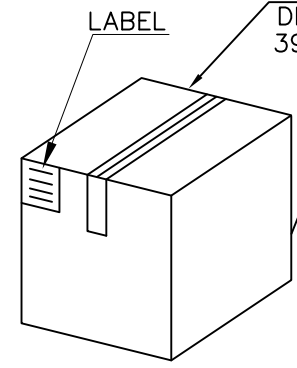
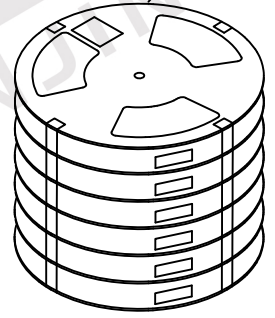
2. 上帶 剝離力為 : 0.1~1.3N(10.2gf~130gf)
PEELING OFF FORCE OF TOP TAPE:0.1~1.3N(10.2gf~130gf)
出貨運輸過程中一定注意:
THIS REQUIREMENT SHOULD BE APPLIED AT SHIPMENT :
卷帶在運輸過程中不能散開
PEELING OFF SHOULD NOT BE ALLOWED DURING TRANSPORTATION

TAPE & REEL 7 PCS

1 REEL
= 600 PCS

BOX

DIMENSIONS:
39.5X39.5X20



1 CARTON
= 6 REELS
= 3600 PCS

TOLERANCE UNSPECIFIED	
.0	±0.35
.00	±0.25
.000	±0.15
X.°	±1.00°
ASSEMBLY DRAWING	

东莞市韩晶电子有限公司

TITLE: USB TYPE C 16PIN,
板上墊高2.50mm(CH=4.05)

包裝明細表 (The detail of the packing) Carton						
產品料號 (Product No.)	包裝容量 (Packing Capacity)			重量 Weight (Kg)		
	pcs/box	boxes/Carton	Pcs/Box	N.W./Pcs	N.W./Box	G.W./Box
UCR04-0161X-00XR	650	6	3900	----	----	----

DRAWN DATE	Rain.Yi 2022/08/20	SIZE:A4	UNIT:mm.	PART.NO:	UCR04-3161X-00XR
CHECKED DATE	Rain.Yi 2022/08/20	SCALE:	1:1	PROJECTION	REV.: A
APPROVED DATE	LCY 2022/08/20	DWG PATH		C00-0000-0085	PATH 3/3